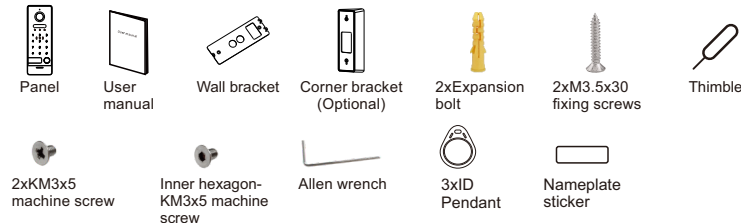


Specifications - model: GPV-B300S(KP)

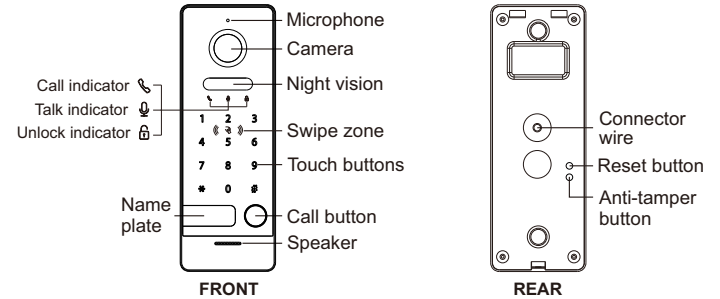
System parameters	Processor	High-performance embedded SOC processor
	Operation system	Embedded linux operating system
Video parameters	Camera	1/2.8" 2MP CMOS low illumination camera
	Angle of view	H:120°, V:71°, D:150°
	Focal length	2.5mm
	Video compression standard	H.265 (default), H264
	Resolution	1920x1080
	Video frame rate	25 fps
Audio parameters	Audio input	Built-in omnidirectional microphone
	Audio output	Built-in loudspeaker
	Audio compression standard	G.711 U
	Audio compression rate	64 Kbps
Audio quality	Noise suppression and echo cancellation	
Light supplement	Light supplement mode	IR supplement
	PLC rate	Max. 500Mbps
PLC	Carrier voltage	18V - 36VDC
Device interfaces	Lock	1CH NO(NC) relay unlock (max. 36VAC/DC- 4A) 1CH NO Gate unlock connector (max. 36VAC/DC-4A)
General	ID Card	125KHZ
		EM marine
		Supports ISO/IEC 18000-2 type A
	Cards/codes supported	Max 100
	Power supply	18V - 36VDC
	Power consumption	6W (Max), 3.5W (Standby)
	Working temperature	-40°C - 60°C
	Working humidity	10% - 90%
Dimensions	154x55x21mm	

Package contents



Product Information

Model: GPV-B300S(KP)



Note: Long press the RESET button for 5 seconds to unbind user. After unbinding, the button light will flash 3 times.

Features

- CMOS 2MP HD colorful camera
- Two-wire interface
- Wide viewing angle
- Supports 1 apartment
- IR supplement
- Vandal-proof with full metal case
- Support anti-disassembly alarm function
- Support ID card unlock (**KP model only**)
- Support password unlock (**KP model only**)

Swiping card and password setting (Only: model GPV-B300SKP)

1. Registering master card

For the first time to use, the digital button backlight keeps blink and the loudspeaker keeps beep sound. When you swipe a ID card, there will be a beep sound at the same time, then this card is successfully authorized as a master card. (Master card can not be swiped to open the lock.)

2. Registering user cards

- Swipe master card 1 time, then swipe another ID card, which will be added as an user card. Continue to swipe other ID cards in sequence can add more user cards. Swipe an added user card again to exit the setting mode when you finished operation. The door station will exit from setting mode automatically when there is no operation in 30 seconds.
- Up to 100 user cards can be registered by the door station. Card reading distance should be $\leq 2\text{cm}$. The master card is necessary when you add or delete user cards. Please keep it well for future use.

3. Deleting master and user cards

- Swipe the master card 4 times in a row, all user cards and the master card will be deleted, digital button backlight will keep blink and loudspeaker keeps beep sound again.
- If the master card is lost, shortly press "RESET" button in the rear side can also delete the master card and all user cards.

4. Password operations

The default management password: 000000

The default unlock password: 123456

a. Changing management password:

Example: Set 888888 as your management password.

- Input * + default password 000000 + # to enter setting mode.
- Continuous input *88888# in twice, the management password will be changed.

b. Changing user unlock password:

Example: Set 666666 as your unlock password.

- Input * + your management number + # to enter setting mode.
- Continuous input 666666# in twice, the unlock password will be changed.

5. Door lock opening (Refer to this if you connect with a door lock.)

a. Password unlock

Example: If the unlock password is 123456, input 123456#, then the unlock indicator will light on and the door lock will be opened.

b. Swiping card unlock

In the standby state, swipe a user card, then the unlock indicator will light on and the door lock will be opened.

6. Gate unlock (Refer to this if you connect with a gate lock.)

a. Password unlock

Example: If the unlock password is 123456, input 123456*, then the unlock indicator will light on and the gate will be opened.

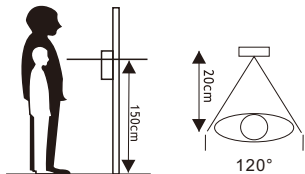
b. Swiping card unlock

In the standby state, input * and then swipe a user card, then the unlock indicator will light on and the gate will be opened.

Remarks:

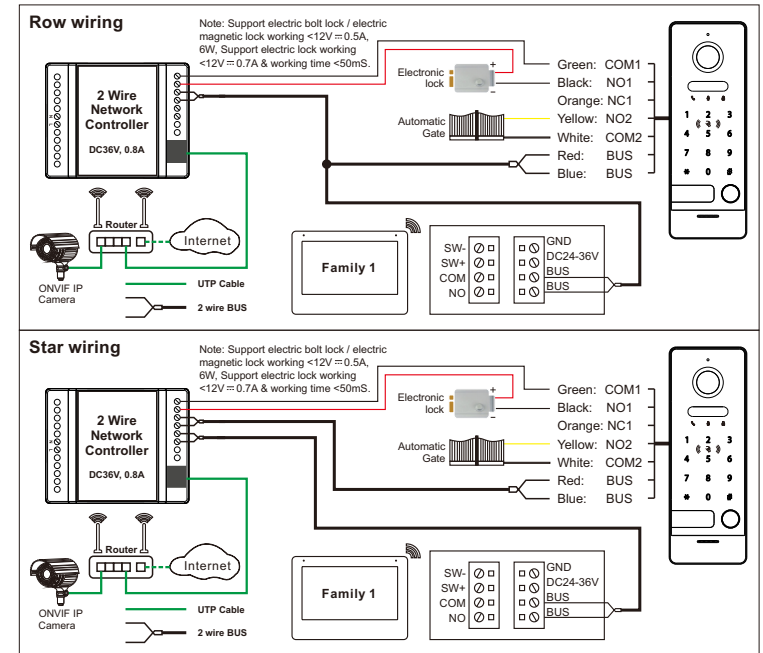
- In standby state, you can't input order until the second touch. When you touch the digital button at the first time, you can only make its backlight lights on.
- The default unlock time for a lock is 5 seconds, for a gate is 0.2 seconds.

Doorbell installation



- Please select the most suitable doorbell position, avoid direct sunshine to camera, dark surroundings, rain.
- Determine doorbell installation height: suggest to be 1.5~1.6meters.

Wiring diagram



Surface mounted directly

- Dig a hole at the suitable height on the wall.
- Disassemble bracket from the outdoor panel.
- Fix the bracket on the wall with screws and expansion bolts.
- Make the cables through the wall & bracket to connect to the doorbell connector wire.
- Put the outdoor panel onto the bracket, and fix it with the screw on the bottom.

