

Thermal & Optical Bi-spectrum Eyeball Camera

GLDTE-A4026 4MP/960P dual camera (Optisk 2.6mm/Therm **2.1 mm**) (vare nr. 22650)

GLDTE-A4040 4MP/960P dual camera (Optisk 4mm/Therm **3 mm**) (vare nr. 22652)

GLDTE-A4060 4MP/960P dual camera (Optisk 6mm/Therm **7 mm**) (vare nr. 22654)

Essential series 256x192 Pixel



GUARDEON

THERMAL CAMERA SERIES

3 LEVELS OF PERFORMANCE. ONE CLEAR CHOICE.

ULTIMATE SERIES

640 x 512

HIGHEST RESOLUTION. MAXIMUM DETECTION.

PERFORMANCE SERIES

400 x 300

OPTIMAL BALANCE. RELIABLE PERFORMANCE.

ESSENTIAL SERIES

256 x 196

ESSENTIAL PROTECTION. EXCELLENT VALUE.

NDA COMPLIANT

MEETS U.S. GOVERNMENT REQUIREMENTS

VISUELT KAMERA 06/05/2026 22:14:37

TERMISK KAMERA 06/05/2026 22:14:37 Termisk temperatur

Features

- ✓ **Thermal & optical dual** spectrum image, dual video with single IP address, adaptable to more various scenes
- ✓ CMOS 1/2.8" target surface, high sensitivity sensor, satisfy the need of **LUNA** series.
- ✓ Max **4.0MP** 2688x1520@30fps optical
- ✓ Max. **960P**@30fps thermal **256x192 pixel**
- ✓ **NDAA & NIS2** compliant
- ✓ Thermal support fire detection, smoking detection and fire shield area
- ✓ Thermal module supports temperature detection and cold & hot spot tracking which highlights the abnormal temperature, and links to alarm
- ✓ Thermal & optical dual smart AI edge intrusion prevention: cross line, enter area, leave area, intrusion each camera lens
- ✓ Optical module supports smog recognition, which can help with fire alarm reconfirm
- ✓ Support picture in picture mode, real time contrast live, more convenient and clearer
- ✓ Support audio and light alarm, with red and blue warning lights built in
- ✓ Ultra 265, H.265, H.264, MJPEG
- ✓ **ONVIF**: S, T, G
- ✓ Alarm: 2 in and 2 out, Audio: 1 in and 1 out
- ✓ MicroSD, up to 512 GB
- ✓ 35 simultaneous streams (multi stream)
- ✓ **IK10** vandal proof
- ✓ IP67 Weatherproof



Optical Lens				Thermal lens		
Focal Length	2.6mm	4.0mm	6.0mm	2.1 mm	3.0mm	7.0mm
Iris	F1.6	F1.6	F1.6	F1.0	F1.0	F1.0
Field of View (H)	108.5°	72.9°	49.1°	88.8°	58.0°	25.2°
Field of View (V)	70.7°	44.4°	26.9°	63.7°	42.5°	19.3°
Field of View (D)	133.5°	89.8°	60.4°	109.2°	72°	31°
DORI Optical color camera						
DORI Distance (Detect)	58.5 m	90.0 m	135 m	See: DRI Description for Thermal		
DORI Distance (Observe)	23.4 m	36.0 m	54 m	N/A		
DORI Distance (Recognize)	11.7 m	18.0 m	27 m	See: DRI Description for Thermal		
DORI Distance (Identify)	5.9 m	9.0 m	13.5 m	See: DRI Description for Thermal		

WHAT IS DORI & HOW TO USE IT IN CCTV

In the world of CCTV, **DORI** stands for **D**etection, **O**bservation, **R**ecognition and **I**dentification.



DETECTION -

The detection level allows for reliable and easy determination of whether a person or vehicle is present.



OBSERVATION -

The observation level gives characteristic details of an individual, such as distinctive clothing, while allowing a view of activity surrounding an incident.



RECOGNITION -

The recognition level determines with a high degree of certainty whether an individual shown is the same as someone that has been seen before.



IDENTIFICATION -

The identification level enables the identity of an individual beyond a reasonable doubt.



DETECTION | Person detected
Presence confirmed



OBSERVATION | Details visible
Clothing, activity, surroundings



RECOGNITION | Individual recognizable
Can be matched to a known person



IDENTIFICATION | Identity confirmed
Beyond reasonable doubt

DRI Description for Essential Thermal (256x192)

Detection, Recognition, and Identification distances according to Johnson's Criteria.

GUARDEON

DRI WITH THERMAL CAMERA

BASED ON JOHNSONS DRI METHOD



JOHNSONS DRI EXPLAINED

Johnsons DRI is a widely accepted methodology for defining performance levels for thermal imaging systems.

D - DETECTION
1.5 pixels / meter



- Detects the presence of a person or vehicle.
- No details, only a heat signature.
- Used for wide area surveillance.

R - RECOGNITION
6 pixels / meter



- Determines the type of object.
- Person, vehicle, animal, etc.
- Allows assessment of behavior and activity.

I - IDENTIFICATION
12 pixels / meter



- Identifies the individual with high certainty.
- Facial features and unique characteristics visible.
- Used for evidence and forensic purposes.

EXAMPLE WITH 256 x 192 PIXEL THERMAL CAMERA (25mm LENS)

DETECTION DISTANCE (D)

550 m

1.5 pixels / meter

RECOGNITION DISTANCE (R)

140 m

6 pixels / meter

IDENTIFICATION DISTANCE (I)

65 m

12 pixels / meter

Thermal Lens	Detection Vehicles:	Detection Humans:	Recognition Vehicles:	Recognition Humans:	Identification Vehicles:	Identification Humans:
	4.0 x 1.4 m	1.8 x 0.5 m	4.0 x 1.4 m	1.8 x 0.5 m	1.4 x 4.0 m	1.8 x 0.5 m
2.1 mm	207 meters	83 meters	52 meters	21 meters	30 meters	12 meters
3.0 mm	296 meters	119 meters	74 meters	30 meters	49 meters	17 meters
7.0 mm	690 meters	277 meters	173 meters	69 meters	99 meters	40 meters

Smart Function Table (Thermal) Smart AI

Thermal Lens	SIP Detection Vehicles:	SIP Detection Humans:	Fire Detection target:	Smoking target: (cigarette butt)	Temperature target:
	4.0 x 1.4 m	1.8 x 0.5 m	0.1x 0.1 m		0.1m x 0.1m
2.1 mm	42 meters	21 meters	9 meters	1 meter	3.5 meters
3.0 mm	60 meters	30 meters	13 meters	2 meters	8 meters
7.0 mm	140 meters	70 meters	29 meters	5 meters	20 meters

Illuminator		
Wavelength IR	750 nm	N/A
Illumination Distance (IR)	30 meters	N/A
Light On/Off Control	Auto/Manual/smart	N/A
Video		
Frame Rate	4.0 MP (2688 x 1520), Max 30fps	960P (1280 x 960), Max 30fps
Video Compression	Ultra 265, H.265, H.264, MJPEG	
Video Bit Rate	128 Kbps to 16 Mbps	
U-code	Support	
ROI	Support	
Video Stream	Triple Streams	
Simultaneous streams	35 (multi stream)	
OSD	Up to 8 OSDs	
Privacy Mask	Up to 8 areas (8 blacks/ 8 mosaics)	N/A
Image		
White Balance	Auto, Outdoor, Fine Tune, Sodium Lamp, Locked, Auto2	N/A
Digital Noise Reduction	2D/3D DNR	
Flip	Normal, Flip Vertical, Flip Horizontal, 180°, 90° Clockwise, 90° Anti-clockwise	
HLC	Support	N/A
BLC	Support	N/A
Defog	Digital Defog	N/A
Palette-Thermal	N/A	white hot, lava, iron oxide red, hot iron, medical, arctic, rainbow 1, rainbow 2, rainbow 3, depict hot, ice hot, black hot, mazarine, fusion, red hot, green hot, color 1, color 2, rain, puce
Intelligent AI edge		
AI Smart Intrusion prevention	Cross line detection, intrusion detection (support false alarm filtering and the classification of human, non-motor vehicle and vehicle)	
Smoke and Fire Detection	Yes	N/A

Temperature Measurement Accuracy		±8 °C (±14.4 °F) or ±8% (whichever is greater)
Temperature Range		Selectable between -20 °C to 150 °C (-4 °F to 302 °F) and 100 °C to 550 °C (212 °F to 1022 °F)
Temperature Detection-Thermal	N/A	Thermal channel supports rule-based temperature measurements. Supports real-time display of the highest, lowest, and average temperatures in the rule defined area on the screen
Smoking Detection-Thermal	N/A	Thermal channel supports the detection of smoking behavior in the environment
Events		
Fire Detection	N/A	Support
Basic Detection	Motion Detection, Tampering Alarm, Audio Detection	N/A
General Function	Watermark, IP Address Filtering, Access Policy, ARP Protection, RTSP Authentication, User Authentication, HTTP Authentication, Alarm Input, Alarm Output	
Audio		
Audio Compression	G.711U, G.711A	
Audio Bitrate	128 Kbps	
Two-way Audio	Support	
Suppression	Support	
Sampling Rate	16KHZ	
Storage		
Edge Storage	MicroSD, up to 512 GB	
Network Storage	ANR	
Network		
Protocols	IGMP, RTP, SMTP, IPv4, IPv6, ICMP, ARP, TCP, UDP, DHCP, PPPoE, RTSP, RTCP, RTMP, DNS, DDNS, NTP, FTP, UPnP, HTTP, HTTPS, 802.1x, SNMP, QoS, SSL/TLS, SSH	
Compatible Integration	ONVIF (Profile S, Profile G, Profile T), API, SDK	
User/Host	Up to 32 users. 3 user levels: administrator, common user and operator	
Web. Client & App & software	APP: GuardEye, GuardTool Software: Guardeon VMS lite, Guardeon IP tool & Guardeon Player	
Web Browser	Plug-in required live view: IE 10+, Chrome 45+, Firefox 52+, Edge 79+	

Interface	
Built-in Mic	Support
Built-in Speaker	Support
Audio I/O	1 input: impedance 1 k Ω , amplitude 2.5 V [p-p], 1 output: impedance 600 Ω , amplitude 2 V [p-p]
Alarm I/O	2 input / 2 OUT relay (relay optical + relay thermal)
Serial Port	1 channel RS485 interface
Network	1 \times RJ45 10 M/100 M Base-TX Ethernet
Video Output	N/A 1 BNC (For debugging)
Certification	
EMC	CE-EMC (EN 55032: 2015+A1:2020, EN 61000-3-3: 2013+A1: 2019, EN IEC 61000-3-2: 2019+A1: 2021, EN 50130-4:2011+A1:2014) FCC (FCC CFR 47 part15 B, ANSI C63.4-2014)
Safety	CE LVD (EN IEC 62368-1:2020+A11:2020) UL (UL 62368-1, 2nd Ed., Issue Date: 2014-12-01)
Environment	CE-RoHS (2011/65/EU;(EU)2015/863); WEEE (2012/19/EU); Reach (Regulation (EC) No 1907/2006)
Protection	IP67 (IEC 60529:1989+AMD1:1999+AMD2:2013)
General	
Power	DC12V (\pm 25%), PoE (IEEE802.3af)
Power Consumption	Max 12 watt
Power Interface	\varnothing 5.5 mm coaxial power plug
Dimensions	Φ 129 x 114 mm (Φ x H)
Weight	0.72kg (1.6lb)
Working Environment	-40 $^{\circ}$ C to 70 $^{\circ}$ C, Humidity: \leq 95% RH (non-condensing)
Storage Environment	-40 $^{\circ}$ C to 70 $^{\circ}$ C, Humidity: \leq 95% RH (non-condensing)
Surge Protection	6 KV
Reset Button	Support
RTC	Support
Web Client Language	1 Language English

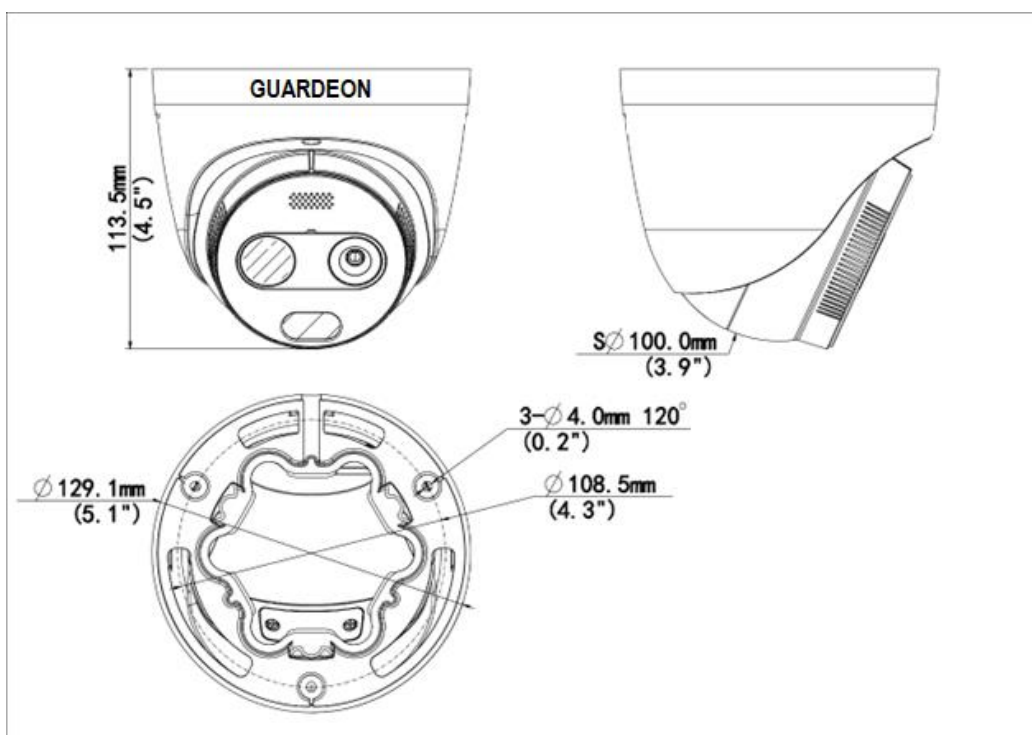
Live View

Maximum Bandwidth	50 Mbps
OSD Font	Vector
OSD Color	Support
OSD Character Number	40

Other

Corridor Mode	Support
---------------	---------

Dimensions



Accessories

GDET-125HB bagdåse	GDET-125(135)HV vægbeslag	GDET-125(135)-HVB vægbeslag med bagdåse
HVID	HVID	HVID
		
Varenr. 22909	Varenr. 22917	Varenr. 22916

* Product specifications and availability are subject to change without notice.

* Despite our best efforts, technical or typographical errors may exist in this document. Gardeon Security Systems cannot be held responsible for any such errors and reserves the right to change the contents of this document without prior notice.

